



Q WALL FACED PAN

STYLE

Wall Faced Pan

CODE

Q002

WEIGHT

(Pan) 30 kg, (Seat) 2 kg

COLOURS

White

INCLUSIONS

Connector, soft close seat and fixings included.

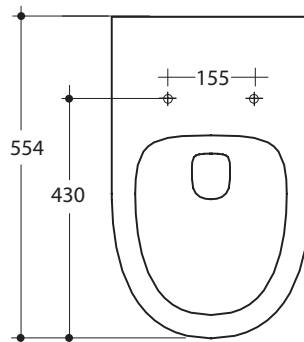
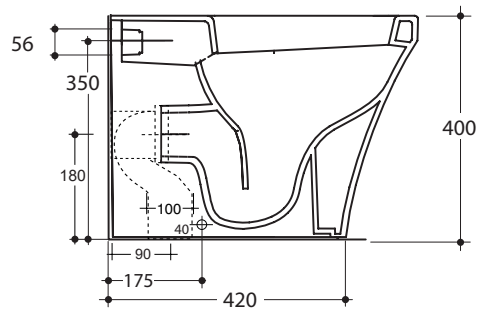
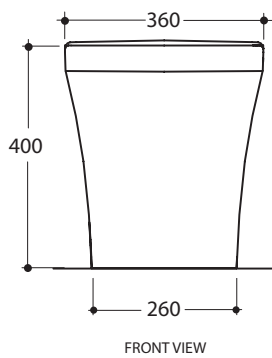
N. B. - S-trap connector supplied as standard.

NOTES

Set out S-trap 90 mm .

WELS 4-STAR RATING

Licence No. 433



Note: All dimensions are in millimetres and are subject to normal manufacturing variances. Studio Bagno Pty Ltd reserves the right to vary specifications at any time without notice. **Date created:** 17/04/13.